

150  
YEARS

**BOON EDAM**  
YOUR ENTRY EXPERTS.

Exit  
Allanfa



# CIRCLESIDE.

THE EASY-ACCESS **CURVED SLIDING DOOR**





## OVERVIEW

When you prefer the elegant rounded look of a revolving door but need to provide disabled access with limited space in the entry area, the Circleslide curved automatic sliding doors is the entry solution for you.

The self-learning technology incorporated in the curved sliding door mechanism ensures extremely quiet and smooth movement of the doors.

## SAFE, FLEXIBLE AND USER-FRIENDLY

The Circleslide curved sliding door houses an integrated and accurate presence sensor that ensure the safety of the users at all times. No special training is required which makes this an ideal solution for moderately dynamic public spaces such as hospitals or airports.

The substantial internal area gives a sense of space and comfort to the people using it, especially if they are transporting large items such as prams or delivery carts.

## HARMONIOUS TOUCHLESS INTEGRATION INTO ANY ARCHITECTURAL DESIGN

Being able to create your own shape from various shapes and sizes of curved revolving doors makes the Circleslide a truly flexible option. You are able to create entrance areas shapes to suit your facade's characteristics - from ovals to circles to semi-circles and more.

The automatic nature of the Circleslide supports a touchless entrance, which has become top-of-mind for many public entrances nowadays. Our state-of-the-art and invisible drive mechanism delivers reliable and quiet use all year round.

## COMBINE TRANSPARENCY WITH SOLID SECURITY

Security in an entry has two different aspects: the security of the building and the safety of its users. The Circleslide complies with the strictest safety regulations and is available with an RC3-rated burglary protection package.

The Circleslide allows you to combine beautiful, transparent aesthetics further security measures - ensuring your visitors feel both welcome and secure in your building.

### **We offer the following additional security measures:**

- Accessibility buttons
- Visual signage on the door wings and curved walls to ensure the accessibility of our doors for all user groups.
- CE plus package

## ESCAPE ROUTE

The Circleslide can be used as an escape route in case of emergency. Both door sets are equipped with an emergency power supply to maintain normal operation in case of a power failure. If the door has been connected to for example a fire alarm, the door sets will open automatically to create a barrier-free passage. Please note that the minimum passage widths are subject to local regulations and building specifications.

## KEY FEATURES

- 2 Sets of sliding doors
- Automatic operation
- Large selection of dimensions
- Interlocking mode

## PUT YOUR STAMP ON IT

Like all our door entry solutions, the Circleslide is available in a wide variety of colours and finishes and can therefore be customised to perfectly suit the look and feel of your building.

Our entry products are available in a wide variety of heights and widths with different canopy heights and heights under canopy, ensuring that many design wishes can be solved with one of our standardised products. If your design falls outside the options that are available, our sales managers and engineers will work with you to create a safe and sustainable entrance that meets all requirements.

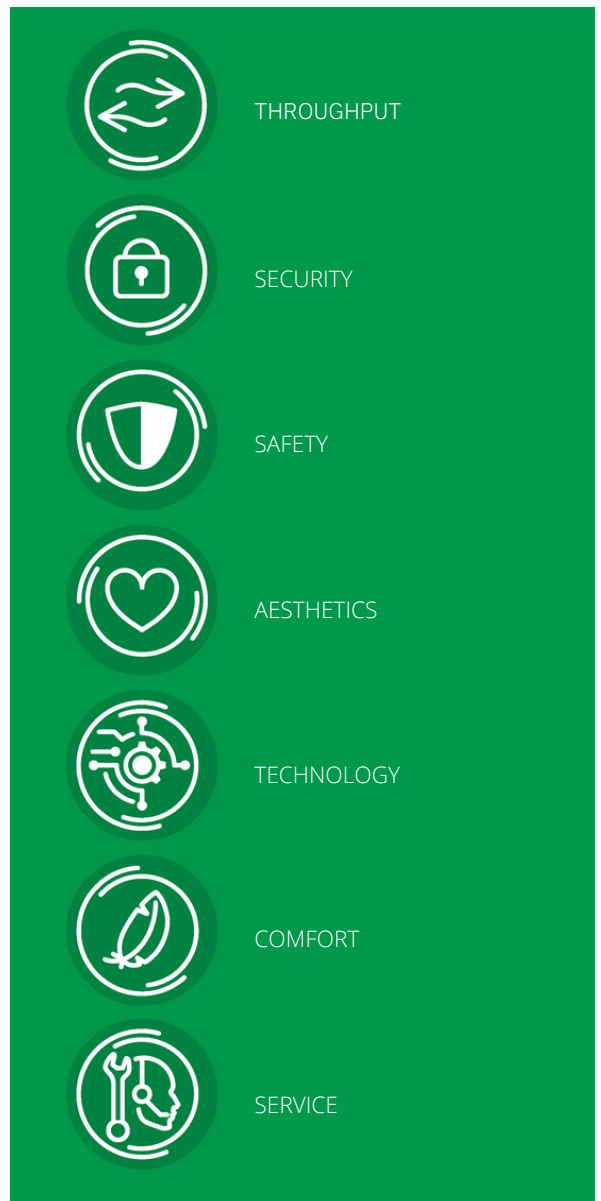
## KEY BENEFITS

- Wide disabled access in limited space
- Relatively small footprint
- Smooth and quiet movement
- Small draft lobby to minimise air loss
- Good ROI
- Highly customisable

## SUGGESTED SEGMENTS

- Corporate
- Governmental
- Retail
- Restaurants and hospitality
- Airports
- Hospitals
- Hotels

**You can level up in any of these categories:**



# LEVEL UP



If our standard specifications do not quite suit your needs, we open up opportunities for you to 'Level Up' where it counts most. You can also do this according to your most motivating value driver.

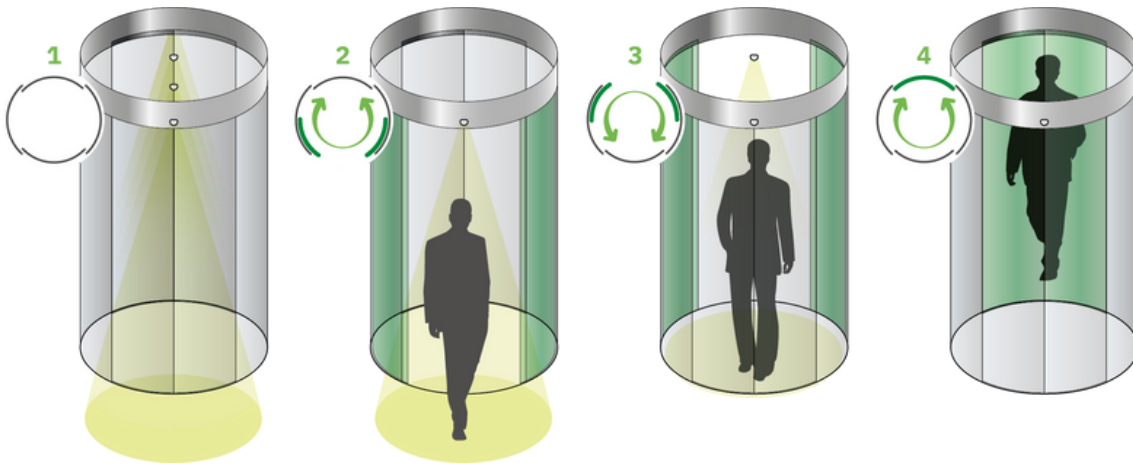
The specification table shows you our standard product options, and to the right of these, you can easily see, and consider, any compatible 'Level Up' options for fine-tuning the Circleslide.



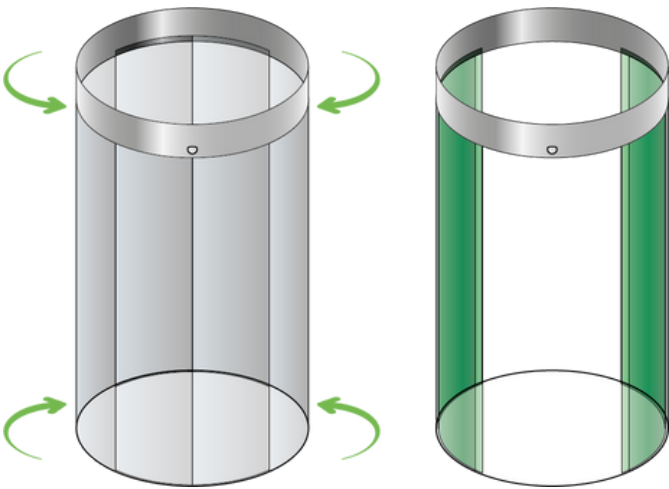
## TECHNICAL SPECIFICATIONS

 THROUGHPUT	STANDARD	LEVEL UP OPTIONS
Throughput	2 x 22 people per minute	
Diameter	3000 mm	Available between 1800- 3800 mm
Height Under Canopy	2200 mm	Available between 2200 - 2600 mm
Canopy Height	300 mm	Available between 300 - 600 mm
Throat Opening	1883 mm	Available between 1029 - 1643 mm
Number of Doors / Wings	2 x 2	
 SECURITY	STANDARD	LEVEL UP OPTIONS
Night-locking	Mechanical locking doorset	-
 SAFETY	STANDARD	LEVEL UP OPTIONS
Safety Packages	CE Basic	CE Plus / DIN 18650 / UKCA
Speed Control	-	Interlocking mode
Emergency Egress	-	-
Protection Packages	-	Laminated safety glass, vandal-resistant (P2A)
Fire Alarm	Standard prepared in control system	-
 AESTHETICS	STANDARD	LEVEL UP OPTIONS
Finish	Powder coated aluminium	Anodic coated aluminium Stainless steel cladding grain/mirror
Glass	8,76mm Glass curved walls 6mm Glass door wings	Laminated safety glass (P2A or P5A) Glass decals applied to the glass
Canopy	Plywood cover	Watertight EPDM preparation Stainless steel cover
Floor Mat and Trim	-	Stainless steel matwell trim Floor mat provided by others
Door Handles	-	-
 TECHNOLOGY	STANDARD	LEVEL UP OPTIONS
Drive	Drive unit in canopy	-
Control Panel	-	Control panel on inside post or external
 COMFORT	STANDARD	LEVEL UP OPTIONS
Disabled Access	Yes	-
Lighting and Sound	-	Voice module Customised lighting possible
Climate Control	-	Air curtains
Activation	-	Direction sensitive motion detectors

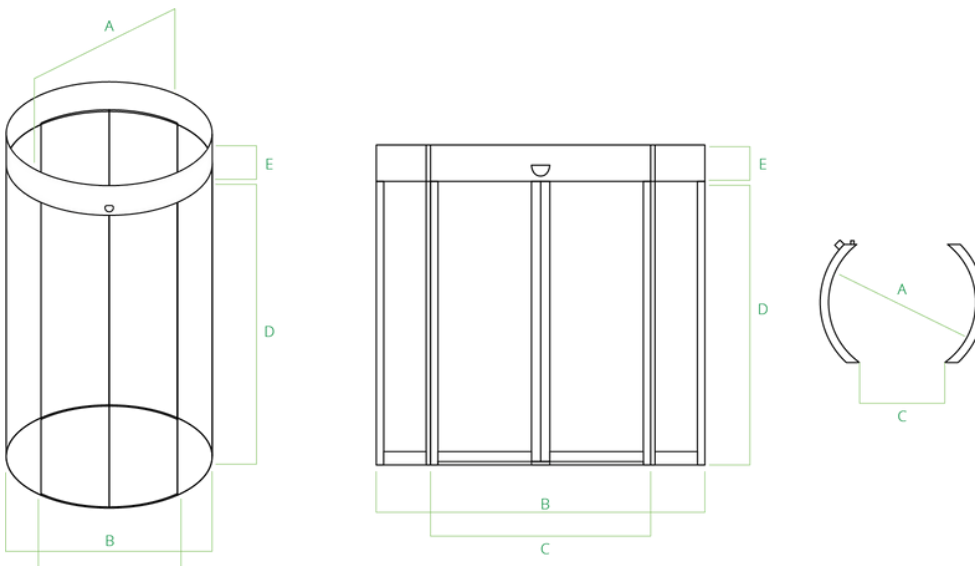
## 6 WORKING PRINCIPLE



## WORKING PRINCIPLE - ONE DOOR SET (PERMANENTLY OPEN MODE)



## TECHNICAL DIMENSIONS







## SERVICE AND MAINTENANCE

With hundreds or thousands of visitors passing through an entry every day, continued and reliable operation is vital. Regular service and maintenance can prevent unexpected hardware breakdowns. Boon Edam's service and maintenance teams across the world are experienced in the effects the local conditions have on the wear and tear of your entry solutions and can offer specialised service and maintenance contracts that correspond to those conditions perfectly.

## COMPLIANCE

Boon Edam entrances are trusted solutions that allow organisations to meet compliance regulations related to restricting access to areas within a building. We take compliance and safety very seriously and ensure that our products are manufactured, installed and maintained to keep up the strict criteria required in all our countries. We are always improving and committed to making sure our products are compliant and certified. More information can be found on our website under 'About Us'.

### The Circleslide complies with the following European standards:

- Machine Directive 2006/42/EC
- EMC Directive 2014/30/EC
- EN1627 – Burglar-resistant package
- EN1063 / EN1522 – Bullet-resistant package
- EN356 – Glass specification



# OUR REACH IS GLOBAL.

---

We have been in business for 150 years, manufacturing premium aesthetic and security entrance solutions in The Netherlands, the United States of America and China. We can confidently say that we cover every corner of the globe with subsidiary companies in major cities across the globe. Furthermore our global export division not only partner with our distributors, but also offer direct sales and service to every territory. This wide net allows us to have a strong global footprint and a personal grasp of local markets and their unique entry requirements.

To find your closest Boon Edam expert, please go to:  
[www.boonedam.co.uk/contact](http://www.boonedam.co.uk/contact)



**Boon Edam Limited**  
T 01233 505 900  
E [uk.contact@boonedam.com](mailto:uk.contact@boonedam.com)  
I [www.boonedam.co.uk](http://www.boonedam.co.uk)

V1-2212

  
**BOON EDAM**  
YOUR ENTRY EXPERTS.